

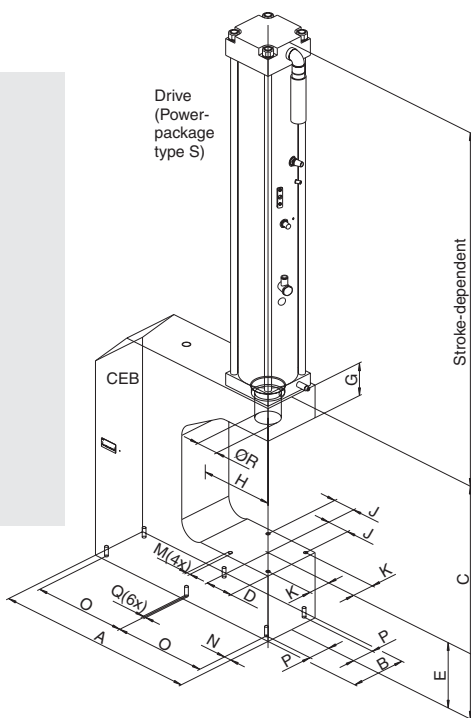
C-frame bed presses

Series CEB/CMB

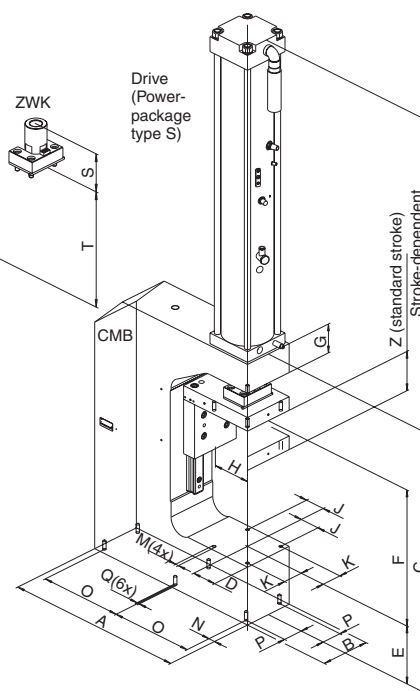
Flexible flame cut solid steel frame



Picture shows:
CMB-C-bow press with linear guidance as standard and S-type Powerpackage.



C-frame type CEB



C-frame type CMB

A linear slide in the frame guides the press ram. No additional guidance is required. Hole pattern on frame side and ram side are identical.

Example: press CEB

consisting of:

- CEB..... TOX®-Press
- Drive TOX®-Powerpackage S/K/KT/EPM
- UUM..... universal base frame (see page 15)
- ZWK..... tool holding fixture
- STE safety control

Additional Accessories

- V..... anti-torsion lock
- ZDO..... pressure switch
- ZPS..... load cell

TOX®-Presses CEB

order number	TOX®-Powerpackage	max. load-ing capacity kN	A	B	C	D	E	G	H	J	K	M	N	O	P	Q	ØR	S	T
CEB 004.300	S / K 4	40	370	90	508,5	50	110	60	150	40	35	4xM8x16	20	165	30	6xM8x16	45	70	300
CEB 008.300	S / K 8	80	420	120	545,0	60	120	75	150	45	45	4xM10x20	20	190	40	6xM10x20	60	90	300
CEB 015.300	S / K 15	150	550	150	606,0	75	170	85	200	60	60	4xM10x20	20	255	60	6xM10x20	60	100	300
CEB 030.300	S / K 30	300	600	180	662,0	90	205	100	200	75	75	4xM12x24	20	280	75	6xM10x20	65	110	300

All dimensions in mm.

TOX®-Presses CMB

order number	TOX®-Powerpackage	max. load-ing capacity kN	A	B	C	D	E	F	G	H	J	K	M	N	O	P	Q	Z
CMB 004.300	S / K 4	40	370	90	568,5	50	110	320	60	90,5	40	35	4xM8x16	20	165	30	6xM8x16	100
CMB 008.300	S / K 8	80	420	120	595,0	60	120	320	75	90,5	45	45	4xM10x20	20	190	40	6xM10x20	100
CMB 015.300	S / K 15	150	550	150	766,0	75	170	400	85	115,5	60	60	4xM10x20	20	255	60	6xM10x20	150
CMB 030.300	S / K 30	300	600	180	822,0	90	205	400	100	115,5	75	75	4xM12x24	20	280	75	6xM10x20	150

All dimensions in mm.